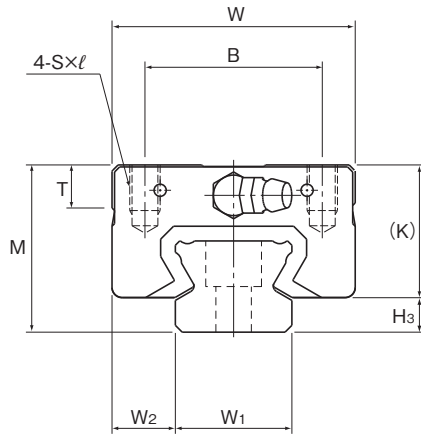


Models SSR-XW and SSR-XWM



| Model No. | Outer dimensions | | | LM block dimensions | | | | | | | | | | | | | Grease nipple | H ₃ |
|-----------------------|------------------|-------|--------|---------------------|----|---------|----------------|------|------|-----|-----|----------------|----------------|----------------|---------|------|---------------|----------------|
| | Height | Width | Length | B | C | S × ℓ | L ₁ | T | K | N | E | f ₀ | e ₀ | D ₀ | | | | |
| | M | W | L | B | C | S × ℓ | L ₁ | T | K | N | E | f ₀ | e ₀ | D ₀ | | | | |
| SSR 15XW SSR 15XWM | 24 | 34 | 56.9 | 26 | 26 | M4 × 7 | 39.9 | 6.5 | 19.5 | 4.5 | 5.5 | 2.7 | 4.5 | 3 | PB1021B | 4.5 | | |
| SSR 20XW SSR 20XWM | 28 | 42 | 66.5 | 32 | 32 | M5 × 8 | 46.6 | 8.2 | 22 | 5.5 | 12 | 2.9 | 5.2 | 3 | B-M6F | 6 | | |
| SSR 25XW SSR 25XWM | 33 | 48 | 83 | 35 | 35 | M6 × 9 | 59.8 | 8.4 | 26.2 | 6 | 12 | 3.3 | 6.8 | 3 | B-M6F | 6.8 | | |
| SSR 30XW SSR 30XWM | 42 | 60 | 97 | 40 | 40 | M8 × 12 | 70.7 | 11.3 | 32.5 | 8 | 12 | 4.5 | 7.6 | 4 | B-M6F | 9.5 | | |
| SSR 35XW | 48 | 70 | 110.9 | 50 | 50 | M8 × 12 | 80.5 | 13 | 36.5 | 8.5 | 12 | 4.7 | 8.8 | 4 | B-M6F | 11.5 | | |

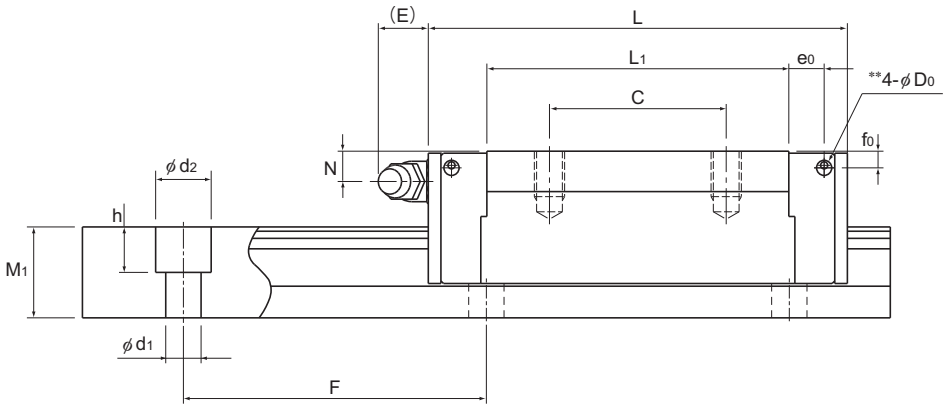
Note) Symbol M indicates that stainless steel is used in the LM block, LM rail and balls. Those models marked with this symbol are therefore highly resistant to corrosion and environment.

Model number coding

| Model number | Type of LM block | Contamination protection accessory symbol (*1) | Stainless steel LM block | LM rail length (in mm) | Accuracy symbol (*3) | Stainless steel LM rail | Symbol for No. of rails used on the same plane (*4) |
|--|------------------------------|--|--------------------------|---------------------------|---|--------------------------------|---|
| SSR25X | W | 2 | UU | C1 | M | +1200L | Y P T M - II |
| No. of LM blocks used on the same rail | Radial clearance symbol (*2) | Normal (No symbol) | Light preload (C1) | Applied to only 15 and 25 | Normal grade (No Symbol) | Symbol for LM rail jointed use | |
| | | | | | High accuracy grade (H)/Precision grade (P) | | |
| | | | | | Super precision grade (SP)/Ultra precision grade (UP) | | |

(*1) See contamination protection accessory on **A1-492**. (*2) See **A1-70**. (*3) See **A1-76**. (*4) See **A1-13**.

Note) This model number indicates that a single-rail unit constitutes one set. (i.e., required number of sets when 2 rails are used in parallel is 2 at a minimum.)



Unit: mm

| LM rail dimensions | | | | | | Basic load rating | | Static permissible moment kN-m* | | | | | Mass | |
|-------------------------|----------------|----------------|----|-------------------------------------|----------------|-------------------|----------------|---------------------------------|---------------|----------------|---------------|----------------|----------|---------|
| Width | Height | Pitch | | Length* | | C | C ₀ | M _A | | M _B | | M _C | LM block | LM rail |
| W ₁ ±0.05 | W ₂ | M ₁ | F | d ₁ × d ₂ × h | Max | kN | kN | 1 block | Double blocks | 1 block | Double blocks | 1 block | kg | kg/m |
| 15 | 9.5 | 12.5 | 60 | 4.5 × 7.5 × 5.3 | 3000 (1240) | 14.7 | 16.5 | 0.0792 | 0.44 | 0.0486 | 0.274 | 0.0962 | 0.15 | 1.2 |
| 20 | 11 | 15.5 | 60 | 6 × 9.5 × 8.5 | 3000 (1480) | 19.6 | 23.4 | 0.138 | 0.723 | 0.0847 | 0.448 | 0.18 | 0.25 | 2.1 |
| 23 | 12.5 | 18 | 60 | 7 × 11 × 9 | 3000 (2020) | 31.5 | 36.4 | 0.258 | 1.42 | 0.158 | 0.884 | 0.33 | 0.4 | 2.7 |
| 28 | 16 | 23 | 80 | 7 × 11 × 9 | 3000 (2520) | 46.5 | 52.7 | 0.446 | 2.4 | 0.274 | 1.49 | 0.571 | 0.8 | 4.3 |
| 34 | 18 | 27.5 | 80 | 9 × 14 × 12 | 3000 | 64.6 | 71.6 | 0.711 | 3.72 | 0.437 | 2.31 | 0.936 | 1.1 | 6.4 |

Note1) Pilot holes for side nipples** are not drilled through in order to prevent foreign material from entering the product. THK will mount grease nipples per your request. Therefore, do not use the side nipple pilot holes** for purposes other than mounting a grease nipple.

The maximum length under "Length*" indicates the standard maximum length of an LM rail. (See **A1-116**.)

Static permissible moment*: 1 block: static permissible moment value with 1 LM block

Double blocks: static permissible moment value with 2 blocks closely contacting with each other

Note2) For models SSR15 and 25, two types of rails with different mounting hole dimensions are offered (see Table1). When, replacing this model with model SR, pay attention to the mounting hole dimension of the LM rail. Contact THK for details.

Table1 The dimension of the rail mounting hole

| Model No. | Standard rail | Semi-Standard rail |
|-----------|-------------------|--------------------|
| SSR 15 | For M4 (Symbol Y) | For M3 (No symbol) |
| SSR 25 | For M6 (Symbol Y) | For M5 (No symbol) |